

ANP155 Series - 277V

Class II Dual Channel LED Power Supply



Features and Applications:

- Two (2) Independent Class II DC Outputs
- Highly Efficient Switching-Mode Technology
- Active PFC (Power Factor Corrected)
- Built For Outdoor Wet, Damp or Indoor Dry Applications
- Silicone Encapsulated For Wet Locations (Use UV approved Water-Tight Conduit and Fittings)
- Built-in EMI Filter For Low Noise
- Rugged Rain-Proof Aluminum Extruded Case - IP65 Rated
- Over-Current and Over-Voltage Protection With Auto-Recovery
- Output Voltage and Output Current Adjustable

All specifications are typical at nominal input, full load, at 25°C unless otherwise stated.

Electrical Specifications

INPUT

Input Voltage Range	90 - 277Vac
Frequency	47 - 63Hz
Input Current	max. 2.5A @90Vac/60Hz, full load
Inrush Current	70A typ. @230V, 25°C cold start
Efficiency	85% typ. @ full load, input 230Vac
Power Factor	≥0.95 at full load 115Vac

OUTPUT

Output Voltage Adjustment	-20% ~ +10%
Leakage Current	0.25mA @110Vac, 5mA @230Vac
Low Ripple & Noise Voltage	< 1% V output
Over Voltage Protection	<130% nominal voltage
Short Circuit Protection	Shutdown & Auto Recovery
OTP Protection	85°C ± 5°C @ Case Ambient
Start-up time	< 2 sec

Safety Certifications

UL UL60950-1, UL1310 (Wet), UL8750, UL935

UL UL879 (Sign Component Manual)

Approved to FKSZ2 (LED Display Driver)

TUV EN60950-1, IP65



CE



General Specifications

Isolation Voltage	3000V AC
Switching Frequency	50K Hz
Weight	4.2 Kg (8.8lbs.) max.
Warranty Info	5 year
MTBF	> 100,000 Hours at 25° C
Robust Design	Guaranteed Full Load at 70° C Derate to 50% at 80° C UL Class II Wet Location

Environmental Specifications

Operating Temp	-30°C to +70°C full load
Storage Temp	-40°C to +85°C
Relative Humidity	5% to 95% (non-Condensing)
Enclosure	Outside case sealed per IP65
Cooling	Convection
RoHS	Compliant

EMC

Conducted Emissions	EN55022,FCC part 15 level B
Radiated Emissions	EN55022,FCC part 15 level B

Amperor Inc.
11320 Neeshaw Dr.
Houston, TX 77065
1-281-807-3320
<http://www.amperor.com>

Amperor Europe Ltd..
30 Ballot Road
Irvine KA12 OHW Scotland, UK
44-(0)-1294-272400
<http://www.amperor.co.uk>

Intertek Corp., an Amperor Company
4th, Fl, Far East World Center
Hsin Tai Wu Road, Hsin-Chin
Taipei, Taiwan R.O.C.
886-2-2698-2239

ANP155 Series - 277V

Class II Dual Channel LED Power Supply



Order Information

Table1: ANP155 Series Model Output Specifications

Model	Output Voltage	# of Channels	Voltage On-board Potentiometer Adjustment Range	Current On-board Potentiometer Adjustment Range	OCP Trip Point	Max Combined Current	Max Output Power Watts
ANP155-12AC-277	+ 12V	2	-20 / +10 %	-70 / +0 %	5.0A	10A	120W
ANP155-15AC-277	+ 15V	2	-20 / +10 %	-70 / +0 %	4.0A	8A	120W
ANP155-19AC-277	+19V	2	-20 / +10 %	-70 / +0 %	3.16A	6.32A	120W
ANP155-24AC-277	+ 24V	2	-20 / +10 %	-70 / +0 %	3.13A	6.26A	150W

Notes:

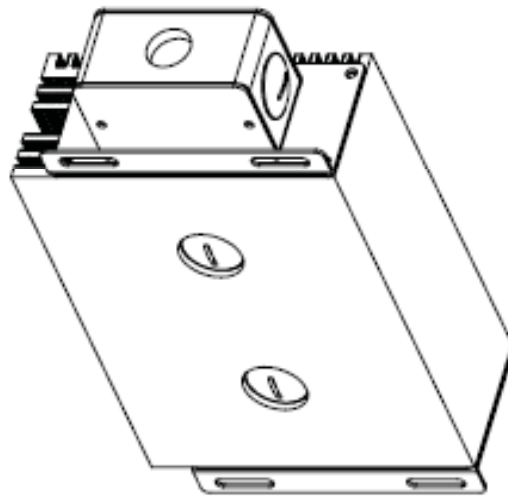
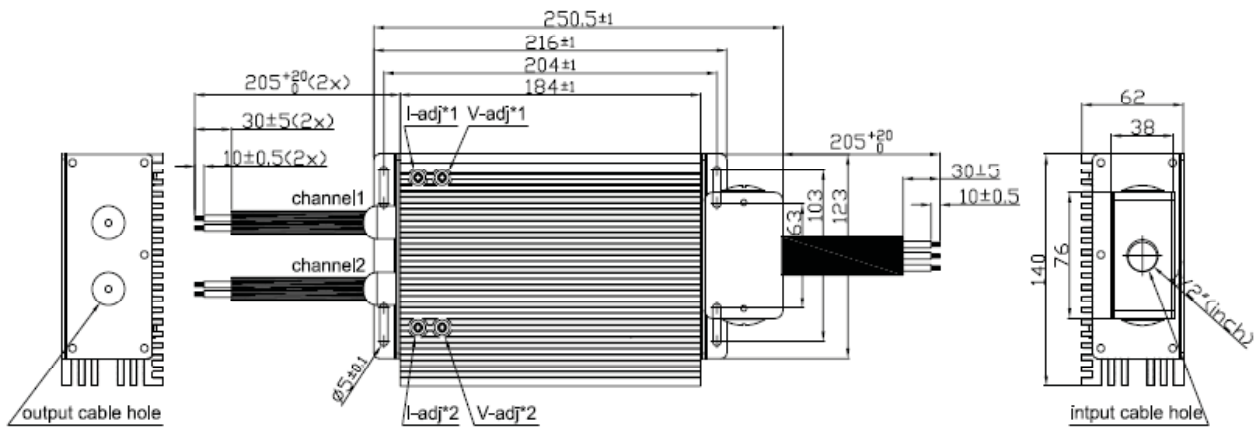
Each individual DC output channel will automatically shut down and auto-recover after an over-current limit (OCP) Trip event . The other output channel will be unaffected by a single channel OCP trip event as long as the over current for the individual channel measures less than 1X the OCP limit during it's auto recovery cycle . Only one output will Be shut down and placed into auto recovery mode as soon as the over current of any individual channel exceeds the 1X OCP limit.

ANP155 Series - 277V

Class II Dual Channel LED Power Supply



Mechanical Information



Notes: All dimensions in mm.

Amperor, Inc. DataSheet © 2009

The information and specifications contained in this data sheet are believed to be accurate at time of publication. Specifications are subject to change without notice.